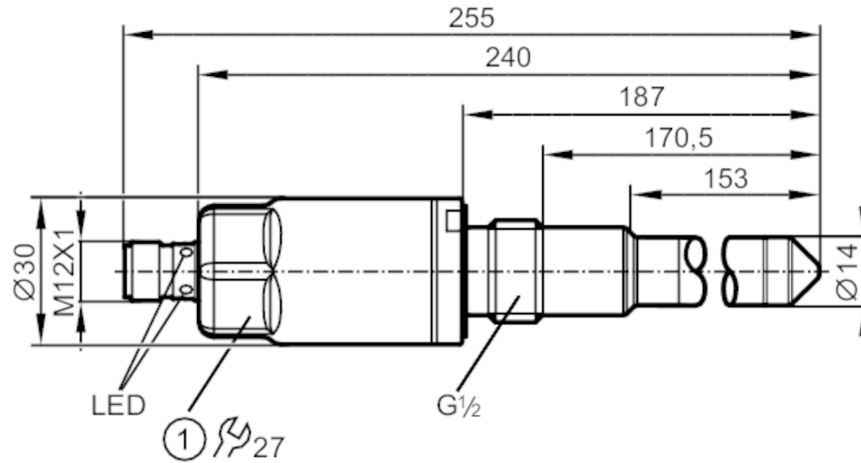


LMT194



Level sensor for limit detection with overspill protection (German Federal Water Act)

LMDCE-A12E-QPKG-2/US



1 Tightening torque 20...25 Nm



Product characteristics

| | |
|------------------------------|--|
| Number of inputs and outputs | Number of digital outputs: 2 |
| Factory setting | hydrous media |
| Process connection | threaded connection G 1/2 sealing cone |

Application

| | |
|--------------------|---|
| Special feature | Gold-plated contacts |
| Media | Liquids |
| Recommended media | water; hydrous media; oils; oil-based media |
| Cannot be used for | See the operating instructions, chapter "Function and features". |
| Probe length [mm] | 153 |
| Tank pressure | -1...40; (applications subject to the German Federal Water Act : -0,5...10 bar) bar -0.1...4; (applications subject to the German Federal Water Act : -0,5...10 bar) MPa |

| | |
|------------------------------------|---|
| Oil | |
| Medium temperature [°C] | -25...100; (applications subject to the German Federal Water Act 0...100 °C) |
| Medium temperature short time [°C] | -25...150; (1 h; applications subject to the German Federal Water Act : 0...100 °C) |
| Water | |
| Medium temperature [°C] | -25...85; (applications subject to the German Federal Water Act : 0...85 °C) |
| Medium temperature short time [°C] | -25...150; (1 h; applications subject to the German Federal Water Act : 0...100 °C) |

Electrical data

| | |
|-----------------------------|------------|
| Operating voltage [V] | 18...30 DC |
| Current consumption [mA] | < 50 |
| Protection class | III |
| Reverse polarity protection | yes |
| Measuring principle | capacitive |

Inputs / outputs

| | |
|------------------------------|------------------------------|
| Number of inputs and outputs | Number of digital outputs: 2 |
|------------------------------|------------------------------|

LMT194



Level sensor for limit detection with overspill protection (German Federal Water Act)

LMDCE-A12E-QPKG-2/US

| Outputs | | |
|--|---|---------------------|
| Total number of outputs | 2 | |
| Output signal | switching signal; IO-Link | |
| Electrical design | PNP | |
| Number of digital outputs | 2 | |
| Max. voltage drop switching output DC [V] | 2.5 | |
| Permanent current rating of switching output DC [mA] | 100 | |
| Short-circuit protection | yes | |
| Type of short-circuit protection | pulsed | |
| Overload protection | yes | |
| Measuring/setting range | | |
| Factory setting | hydrous media | |
| Response times | | |
| Response time [s] | < 0.5 | |
| Interfaces | | |
| Communication interface | IO-Link | |
| Transmission type | COM2 (38,4 kBaud) | |
| IO-Link revision | 1.1 | |
| SDCI standard | IEC 61131-9 | |
| Profiles | Smart Sensor: Process Data Variable; Device Identification | |
| SIO mode | yes | |
| Required master port type | A | |
| Process data analogue | 1 | |
| Process data binary | 2 | |
| Min. process cycle time [ms] | 2.3 | |
| Supported DeviceIDs | Type of operation | DeviceID |
| | default | 449 |
| Operating conditions | | |
| Ambient temperature [°C] | -20...85 | |
| Note on ambient temperature | Medium temperature 100...150 °C -40...60 °C | |
| Storage temperature [°C] | -40...85 | |
| Protection | IP 68; IP 69K | |
| Tests / approvals | | |
| Approval | WHG; General building authority approval; overflow prevention | |
| EMC | DIN EN 61000-6-2 | |
| | DIN EN 61000-6-4 | open tanks |
| Shock resistance | DIN EN 60068-2-27 | 50 g (11 ms) |
| Vibration resistance | DIN EN 60068-2-6 | 20 g (10...2000 Hz) |
| MTTF [years] | 222.21 | |
| UL approval | UL Approval no. | H001 |

LMT194



Level sensor for limit detection with overspill protection (German Federal Water Act)

LMDCE-A12E-QPKG-2/US

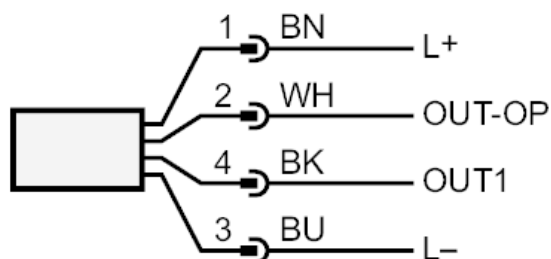
| Mechanical data | | |
|-------------------------------|--|----------------|
| Weight | [g] | 329 |
| Dimensions | [mm] | Ø 30 / L = 255 |
| Materials | stainless steel (316L/1.4404); stainless steel (316Ti/1.4571); PEEK; PEI; FKM | |
| Materials (wetted parts) | stainless steel (316L/1.4404); stainless steel (316Ti/1.4571); PEEK; surface characteristics: Ra < 0,8 / Rz 4; FKM | |
| Process connection | threaded connection G 1/2 sealing cone | |
| Displays / operating elements | | |
| Display | switching status | LED, yellow |
| | operating status | LED, green |
| Remarks | | |
| Pack quantity | 1 pcs. | |

Electrical connection

Connector: 1 x M12; coding: A; Contacts: gold-plated



Connection



OUT1: switching output
OUT-OP: switching output overflow prevention to the German Federal Water Act (WHG)
colours to DIN EN 60947-5-2
Core colours :
BK = black
BN = brown
BU = blue
WH = white